



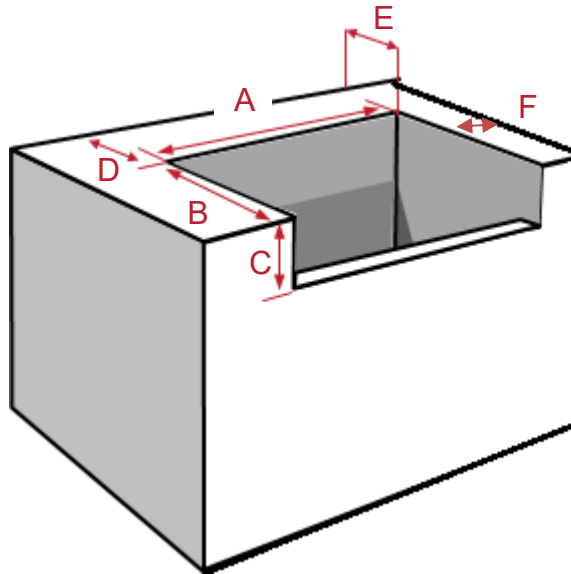
The ultimate outdoor grilling experience.

Phone: 1 (888) 287-3333 ♦ Fax: 1 (877) 855-5373 ♦ #106-2480 Mt. Lehman Road, Abbotsford, BC V4X 2N3

## Suggested Cutout Dimensions for Built In GRILLS:

**TECH TIP:**

Leave the cabinet that the grill head is inserted into open to encourage air flow. SSVENTs also encourage proper air flow.



### Built In Grill Cutout Dimensions

**Cabinets with Non-Combustible Materials**  
(Eg: metal studs, cement board, tiles, marble)

MODEL	A Width	B* Depth	C* Height	D*	E*	F*
Lux JLS550 Bi	24 3/4"	18 3/4"	10"	5 1/2"	12"	15 1/2"
Lux JLS700Bi	33"	18 3/4"	10"	5 1/2"	12"	15 1/2"
Supreme JSS550 Bi	24 3/4"	18 1/2"	9 3/4"	5 1/2"	12"	15 1/2"
Supreme JSS700Bi	33"	18 1/2"	9 3/4"	5 1/2"	12"	15 1/2"
Supreme JSS850Bi	40"	18 1/2"	9 3/4"	5 1/2"	12"	15 1/2"
<b>*B</b>	Depth is measured from the finished face of the island/cabinet.					
<b>*C</b>	Depth is measured from the finished face of the island/cabinet.					
<b>*D</b>	Minimum distance to rear vertical wall; required to fully open lid (from cutout).					
<b>*E/F</b>	Minimum distance to rear/sides adjacent vertical combustibles (counter top MUST be non-combustible).					

Measurements are subject to change without notice

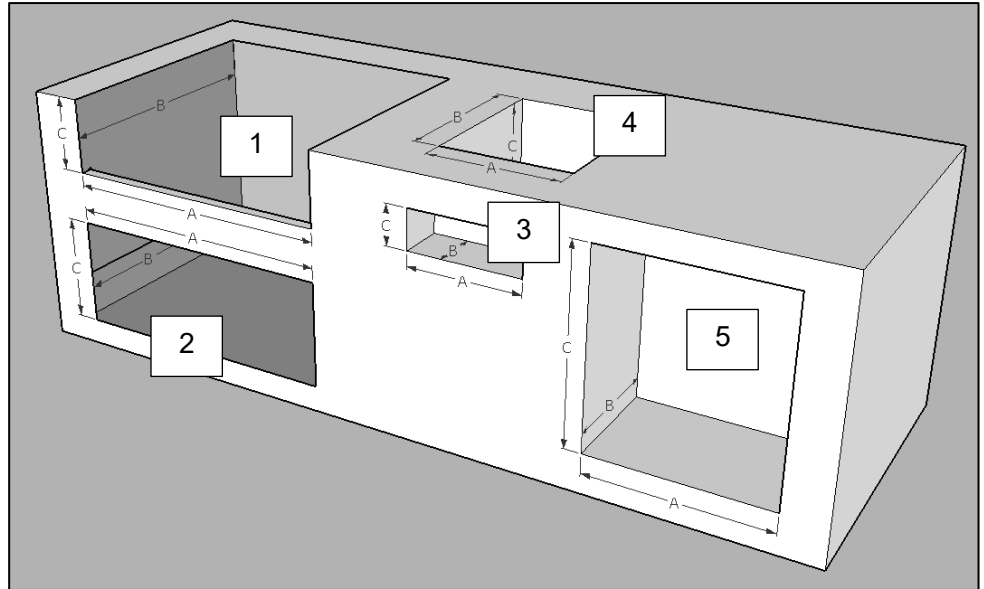


The ultimate outdoor grilling experience.

Phone: 1 (888) 287-3333 ♦ Fax: 1 (877) 855-5373 ♦ #106-2480 Mt. Lehman Road, Abbotsford, BC V4X 2N3

## Suggested Cutout Dimensions for Built-In ACCESSORIES

**NOTE:** These dimensions do NOT include plumbing or gas fitting clearances to combustibles. Measurements are subject to change without notice.



### Suggested Cutout Dimensions

Cutout Number	Description	A (Width)	B (Depth)	C (Height)	Special Note
1	COCKTAIL	28 3/4"	24 1/4"	9 7/16"	There is no overlap trim along the Cocktail Centre's edge A.
2	BIDBLDOORS	29"		20"	
2	BIDBLDOORS36	36"		20 1/2"	
2	BICOMBODOOR	29 1/8"	21 1/4"	20 3/8"	Allow 14.5" from cutout to finished material L and R sides
2	BICOMBODOOR36	36 3/8"	21 1/4"	20 3/8"	Allow 18" from cutout to finished material L and R sides
2	BIDOORS (Horizontal)	24 1/2"		17 1/4"	
3	PAPERHOLDER	15"	7"	9"	
3	BIACCESS	8 1/2"		8 1/2"	
3	SS VENT	11 1/4"		3 1/4"	This is a surface mount
4	ICECHEST	21 1/4"	20"	14"	
4	JGSB-NG/LP	9"	17"		Leave these items open below to allow space for gas hookups and encourage proper air flow.
4	JGSBDBL	14 1/2"	19"		
4	JGSBSEAR	8 3/4"	16 1/2"		
5	AZ-20A-1 (Ice Maker)	16 1/2"	27 5/8"	34 1/2"	
5	BC90OD-1 (Fridge)	15"	25"	33 1/2"	
5	BC160OD-1 (Fridge)	24 1/2"	25 1/2"	34 1/2"	
5	FRIDGETRIM			33 3/4"	Two sides only.
5	BIDOORSV	17 1/4"		24 1/2"	
5	BIDOORSSMVT	14 1/2"		20 5/8"	
5	DRAWER 2	18"	23 1/2"	13 1/2"	
5	DRAWER 3	18"	23 1/2"	25"	
5	SC90OD-1 (Bev. Center)	15"	25"	33 1/2"	
5	TRASH BIN	18"	23 1/2"	25"	