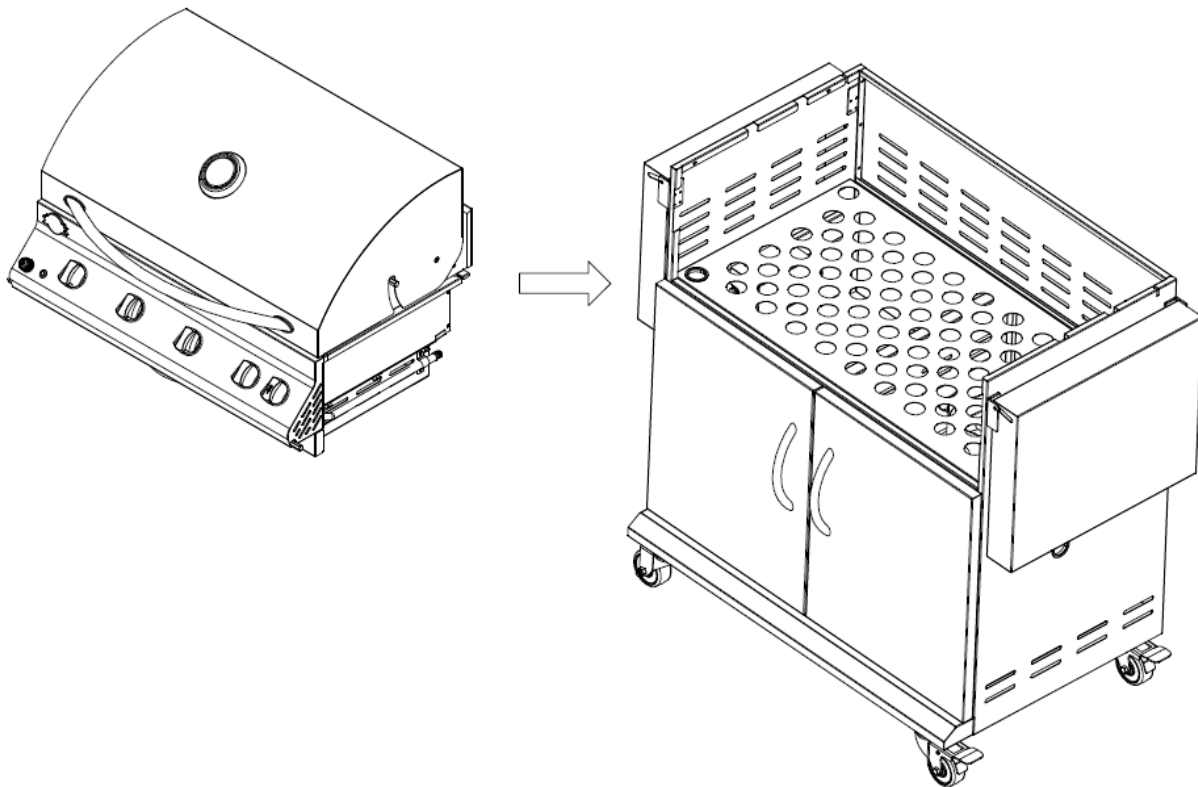




The ultimate outdoor grilling experience.

Phone: 1 (888) 287-3333 ♦ Fax: 1 (877) 855-5373 ♦ #106-2480 Mt. Lehman Road, Abbotsford, BC V4X 2N3

OWNER'S MANUAL for Supreme Built-In Carts



For Built-in Models:

- JSS550BI-LP** (Liquid Propane)
- JSS550BI-NG** (Natural Gas)
- JSS700BI-LP** (Liquid Propane - shown)
- JSS700BI-NG** (Natural Gas - shown)

TABLE OF CONTENTS

Parts Checklist:	1
Tools Required for Assembly	1
Special Message:	2
Assembly and Preparing your Grill:	3
Exploded View:	4-5
Parts List:	6
Optional Accessories:	7
Warranty:	7

Parts Checklist:

!WARNING!

Exercise caution when handling stainless steel; metal edges may be sharp and can cause injury.



TECH-TIP

Do not throw away packaging until you have confirmed that all parts are present.

	JSS550	JSS700
Cart	1	1
M6 Screws	23	23
M6 Spring Washers	16	16
M6 Metal Serrated Gaskets	4	4
Locking Castors	2	2
Non-locking Castors	2	2

Tools Required for Assembly:

Please use the proper tools to simplify installation and prevent injury or damage to your grill.

Installer Supplied Tools:

- | | | |
|---|---|--|
| 1 | x | Large Phillips Screwdriver |
| 1 | x | Medium Phillips Screwdriver |
| 1 | x | OPTIONAL: Socket wrench with 6mm Allen driver. |



Special Message to Our Customers:

All of us at Jackson thank you for choosing a Jackson Grill! This appliance was designed, engineered, and built with quality components and we are confident that it will provide you with years of excellent operation. Please take the time to read the entire manual and familiarize yourself with all the features of the Jackson Grill. This manual also contains important safety information and operation instructions. Please write your barbecue's serial # in the space below, and ensure that this manual remains handy to the barbeque for quick reference. To obtain replacement parts for your Jackson Grill, contact your local dealer. If you have any questions please call us anytime at the number below: (Please have your model and serial number at hand)

Grill Model: JSS550-LP/JSS550-NG or JSS700-LP/JSS700-NG

Serial Number: _____

Write your serial number of the grill head here for future reference.

OWNER REGISTRATION: Please take the time to fill out and return a Warranty Registration Card, or on-line at www.jacksongrills.com or simply fill in the form below and mail or fax to: (Thank you for your help!)

Jackson Grills
#106-2480 Mt. Lehman Rd.
Abbotsford, BC.
Canada V4X 2N3

Customer Support (Tel): 1 (888) 287-3333 or
Customer Support (E-mail): info@jacksongrills.com
Fax: 1 (877) 855-5373
Parts Ordering: Contact your Dealer

Please complete and return within 10 days. Thank you.

Title: Mr. Mrs. Ms. Miss (Circle One)

First Name: _____ Initial: _____ Last Name: _____

Street: _____ Apt. #: _____

City: _____ State/Prov.: _____ Zip/Postal: _____

Phone: _____ Email: _____

Date Purchased: _____ Dealer: _____

Model: _____ Serial #: _____

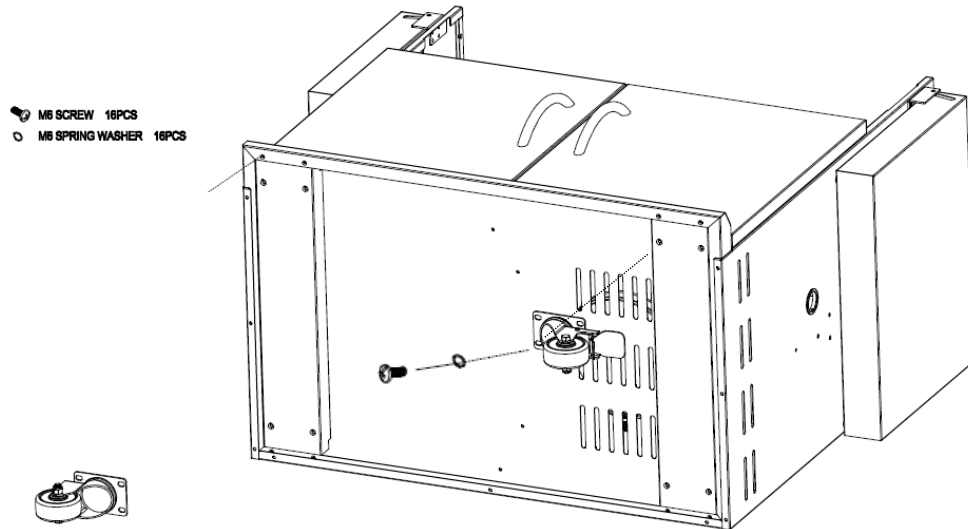
Comments: _____

Dear Grill Owner; please keep this manual for future reference.

Assembling & Preparing your Grill:

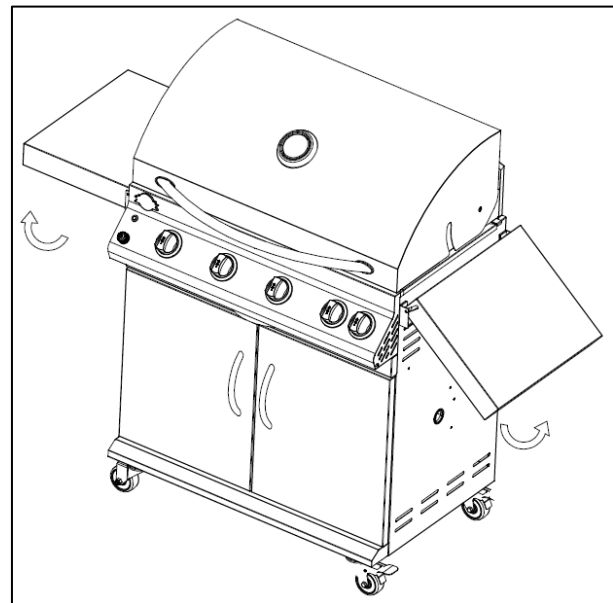
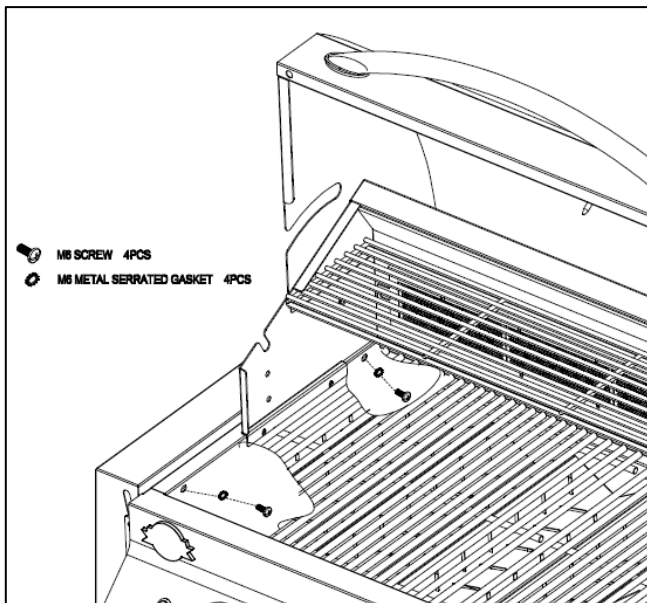
■ Install Casters:

1. Install locking casters at the front, and the non-locking casters at the rear of your grill.
2. Using a screw driver, install the casters by bolting them into the bottom 4 corners of your grill using 16 M6 screws (supplied) and 16 M6 spring washers.



■ Install Grill Head:

1. Using a screw driver, install the grill head by bolting it to the cart using 4 M6 screws and 4 M6 serrated gaskets.

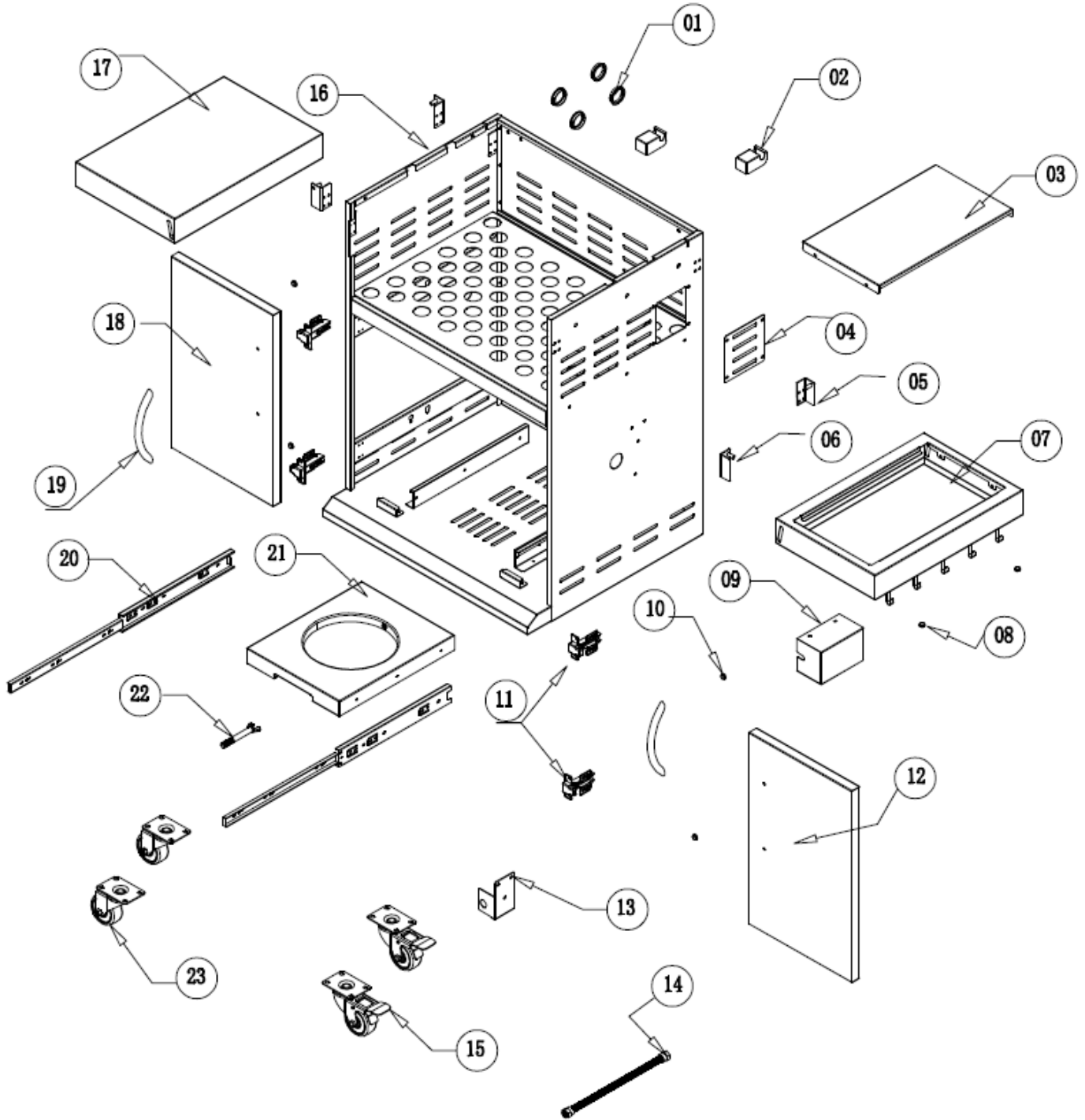


NOTE: Three M6 screws needed to secure right side shelf if a side burner is added (see page 7).

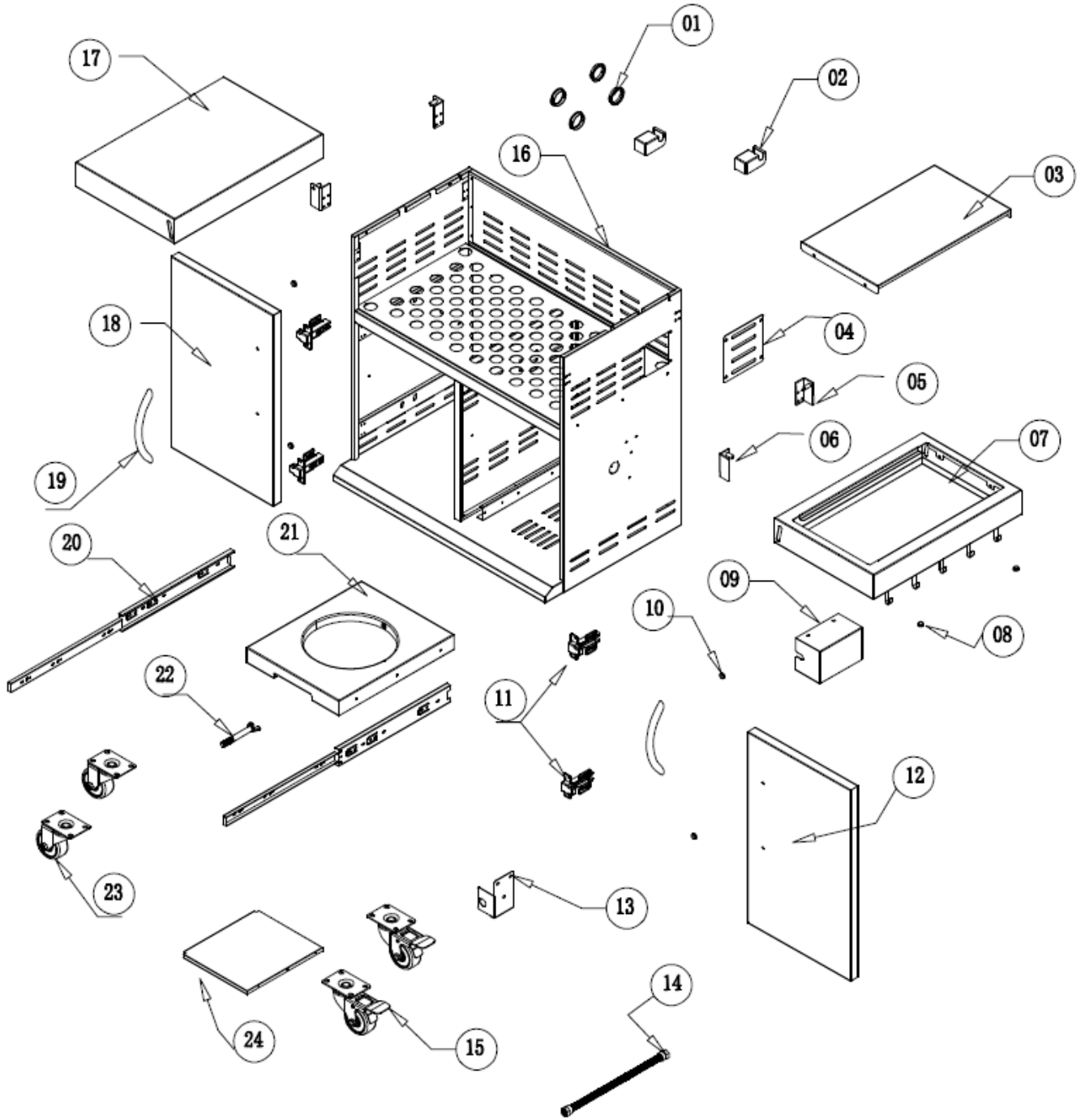
■ Optional:

1. Remove Glide rails and propane tank support if using natural gas.

Exploded View: JSS550 Cart



Exploded View: JSS700 Cart



Parts List: JSS Cart

Loc.	Description	Part #	JSS550	JSS700
1	Grommet	JC-202	4	4
2	Rotisserie Rod Storage Hook	JC-203	1	1
3	SS Knockout Panel	JC-204	1	1
4	Access Panel	JC-205	1	1
5	Side Bracket for R Drop Down Shelf (Rear)	JC-206	1	1
6	Side Bracket for R Drop Down Shelf (Front)	JC-207	1	1
N/A	Side Bracket for L Drop Down Shelf (Front)	JC-208	1	1
N/A	Side Bracket for L Drop Down Shelf (Rear)	JC-209	1	1
7	Folding Side Shelf: R	JC-210	1	1
8	R Side Shelf Hardware Kit	JC-211	1	1
N/A	L Side Shelf Hardware Kit	JC-212	1	1
9	Electric Adapter Housing	JC-213	1	1
10	Screw for Handle	JC-214	4	4
11	Soft closing hinges	JC-215	2	2
12	Pedestal Door: R	JC-216	1	1
13	Manifold Bracket	JC-217	1	1
14	Flex Hose	JC-218	1	1
15	Locking Castors	JC-219	2	2
16	Cart Body	JC-200	1	
16	Cart Body	JC-201		1
17	Folding Side Shelf: L	JC-220	1	1
18	Pedestal Door: L	JC-221	1	1
19	Door handle	JC-222	2	2
20	Glide Rails for LP Tank	JC-223	2	2
21	LP Tank Support	JC-224	1	1
22	LP Tank Retaining Screw	JC-225	1	1
23	Non-locking Castors	JC-226	2	2
24	Inner Shelf: L	JC-227		1

Optional Accessories

Side Burners and Sear Burners are optional accessories designed to help you get the most out of your grilling experience. To install, simply remove Stainless Steel knockout panel on the right, affix the three screws to make the side shelf stationary, and drop in applicable accessory.



JGSB-LP/NG: Side Burner



JGSBSEAR-LP/NG: Sear Burner

Limited Lifetime Warranty:

MODEL NO: Supreme JSS550-CART & JSS700-CART

Jackson Grills Inc. warrants the following materials and workmanship to be free of defects for as long as you own the grill subject to the conditions below:

10 years: (from date of purchase); Jackson Grills will replace (at our option), any part in the list below, at no charge during the first 10 years:

- Outer pedestal system

Limited Warranty Subject to the following Conditions & Limitations:

(NOTE: Shipping and Labor Charges are NOT covered)

- The bill of sale and proof of original ownership and serial number will be required in order to claim warranty from your authorized dealer. The warranty registration card must be returned within 30 days to register your warranty.
- This factory warranty is non-transferable and may not be extended under any circumstances.
- Jackson Grills Inc. warrants its products to the original purchaser only (NO EXCEPTIONS). Not for commercial use.
- This Limited Warranty does not cover any damage caused by misuse, lack of maintenance, hostile environments, accident, alterations, abuse or neglect, including scratches, dents, corrosion, or discoloring by heat (all stainless steel will discolor), and abrasive or chemical damage resulting from use of harsh cleaners.
- Should deterioration occur to the point of non-performance within the duration of the warranted coverage, a replacement will be provided in the first year only. This warranty extends to the repair or replacement of warranted parts that are defective in materials or workmanship provided that the product has been operated in accordance with the operation instructions and under normal conditions.
- After the first year, Jackson Grills reserves the right to fully disengage all obligations with respect to this Limited Warranty by refunding the original warranted purchaser the original wholesale price of the warranted parts.
- A licensed, authorized, service technician or contractor must install the gas grill.
- Genuine Jackson parts must always be used; use of parts supplied by other manufacturers will nullify the warranty.
- The installation must be done in accordance with the installation procedures described in the included owner's manual.
- Jackson Grills or its parties will not be responsible for the installation, labor or any other costs or expenses related to the refitting of the warranted part, and such expenses are not covered by this warranty.
- Notwithstanding any provision contained in this Limited Warranty, Jackson Grills responsibility under this warranty is defined as above and it shall not in any event extend to any incidental, consequential, or indirect damages.
- Jackson Grills neither assumes, nor authorizes any third party to assume, on its behalf, any other liabilities with respect to the sale of this product.
- Jackson grills reserves the right to inspect any parts prior to approving warranty claim.
- Jackson Grills or its representatives shall not be liable for ANY shipping charges, labor charges or duties.