



JACKSON GRILLS INC.

#106-2480 Mt. Lehman Rd.
Abbotsford, BC V4X 2N3

TEL: 1(888) 287-3333
FAX: 1(877) 855-5373
SUPPORT: support@jacksongrills.com
WEB SITE: www.jacksongrills.com

OWNER'S MANUAL:

Model # JGSBSEAR Searing Burner Station



FOR OUTDOOR USE ONLY



!WARNING!
If you smell gas:
1. Shut off gas to the appliance.
2. Extinguish any open flame.
3. Open lid.
4. If odor continues, keep away from appliance and immediately call your gas supplier & fire department.

!WARNING!
1. Do not store or use gasoline or other flammable liquids in the vicinity of this appliance.
2. Do not store disconnected propane tanks in the vicinity of this appliance.



TABLE OF CONTENTS

Certification & Testing:	2
Safety Warnings:	3
Package Contents Checklist:	3
Searing Side Burner Part Number List:	4
Installation Instructions: (Cart Version)	4-5
Installation Instructions: (Built In Version)	6-7
Leak Testing:	7
Lighting Instructions:	7
Natural Gas Conversion:	8
Warranty:	8

CERTIFICATION & TESTING

This side burner has been tested by Labtest Certification (LC) and has been tested to ANSI Z21.58a-1198 & CGA 16a-M98, and Certified for Canada and the USA.

NOTE: The use and installation of this product must conform to local codes. In the absence of local codes, use the National Fuel and Gas Code, ANSI A223.1, Storage and Handling of Liquefied Petroleum Gasses, NFPA / ANSI 58.

!SAFETY WARNINGS!

SAFETY FIRST:

Please read and understand all warnings and precautions prior to operating your Side Burner.

- 1 This accessory is for outside use only, and shall not be used in any building, garage, enclosed area or vehicle.
- 2 This Side Burner is set up from the factory for use with Propane Gas (LP). (Propane Cylinder /Tank not included)
- 3 Do not use gasoline, alcohol or other volatiles for lighting purposes.
- 4 The Propane (LP) gas supply cylinder must be constructed and marked in accordance with the specifications for propane gas cylinders of the US Department of transport (DOT) CFR 49 or the National Standards of Canada, CAN/CSA B339, Cylinders, Spheres and Tubes for the Transportation of Dangerous Goods.
- 5 Do not alter this accessory in any manner.
- 6 Do not touch any metal surfaces on this side burner until it has completely cooled to avoid burns, unless wearing protective gear. (Pot holders, gloves, BBQ mittens, etc.)
- 7 It is essential to keep the valve compartment, burners, and circulating air passages clean and free of obstructions and debris. Inspect the grill before each use.
- 8 Do not store any spare propane cylinders within 10 feet of this Side Burner.
- 9 Please note that propane (LP) is explosive under pressure, heavier than air, and settles and pools in low areas, which can create an explosion hazard.
- 10 Caution: contact with propane gas can cause freeze burns to your skin.
- 11 Dented and rusted propane cylinders may be hazardous and should be checked by a propane gas supplier, before use.

!WARNING!
Failure to follow all manufacturer's instructions could result in serious bodily injury and/or property damage.

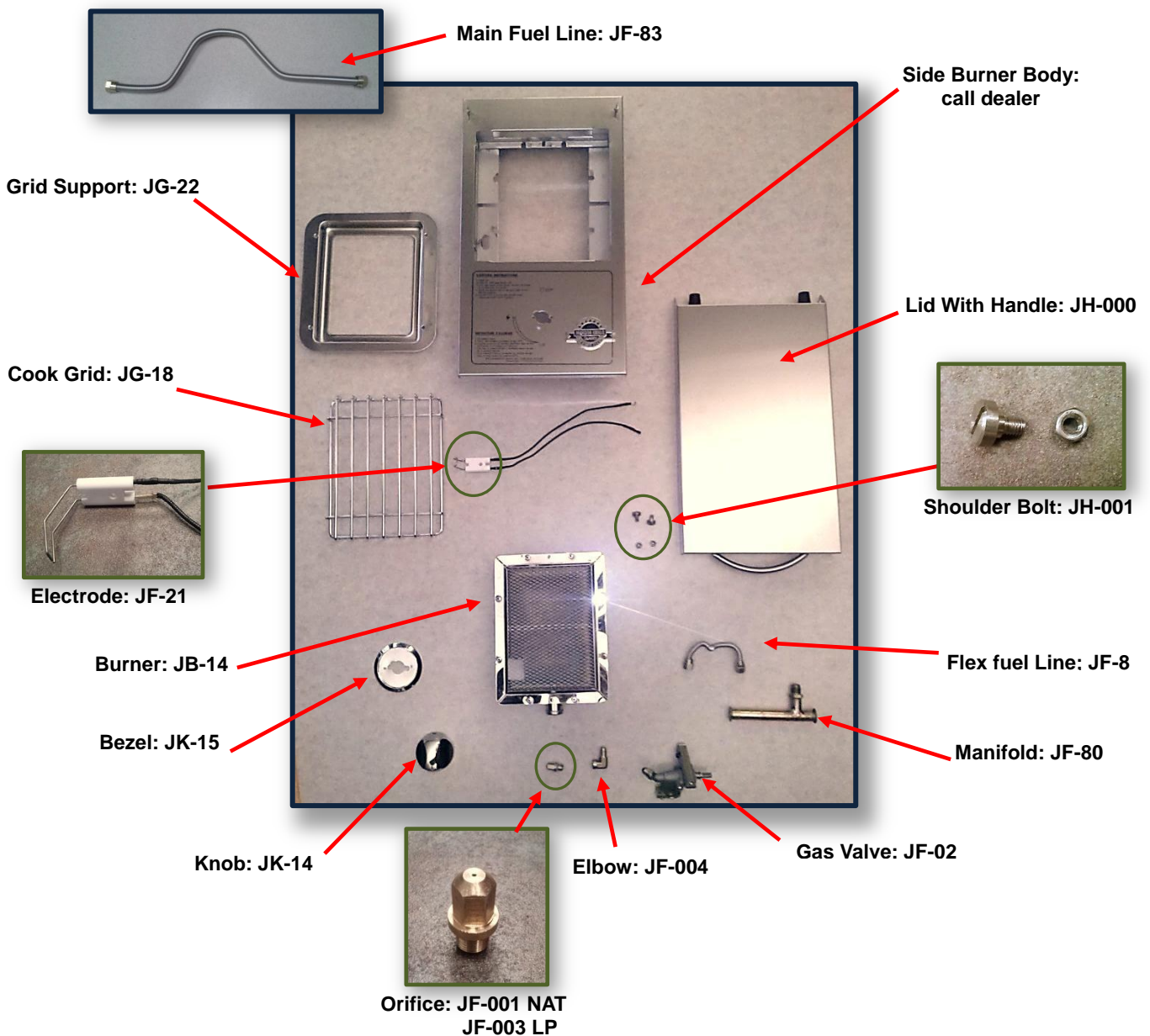
PACKAGE CONTENTS CHECKLIST:

The following parts are included in this side burner package:

- 1 x Searing Burner Body with Lid (attached)
- 1 x Stainless Steel Flex Hose
- 1 x Stainless Steel Cook Grid
- 1 x Cook Grid Support
- 1 x Natural Gas Orifice (for Natural Gas Conversion)
- 1 x Owner's Manual



SIDE BURNER PART NUMBER LIST:



CART MODEL INSTALLATION:

TOOLS REQUIRED:

- 1 X 17mm wrench
- 1 X 19mm wrench



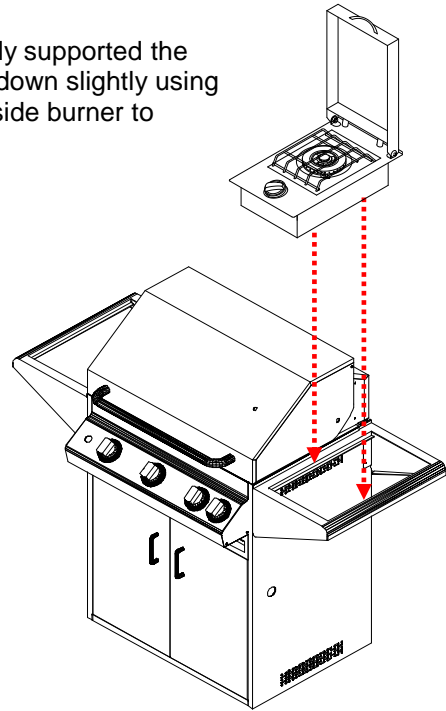
STEP 1

Remove the cutting board from the right hand side shelf
(The side burner can be installed only on the right hand side of the unit, as it will interfere with the rotisserie otherwise.)

!WARNING!
SHUT OFF FUEL before installing
this side burner assembly.

STEP 2

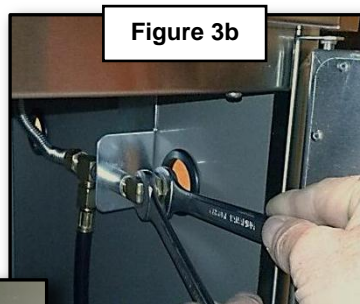
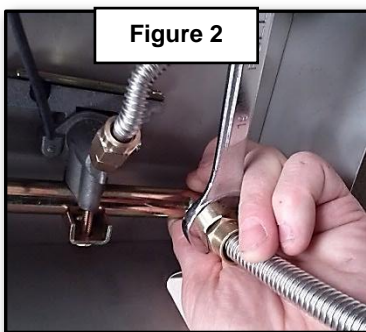
Drop the Searing Side Burner assembly onto the rails that formerly supported the Cutting Board. This may be a tight fit; if so, please bend the rails down slightly using a pair of pliers as needed (Fig. 1). This adjustment will allow the side burner to drop into place.



STEP 3

Install the included Main Flex Fuel Line onto the 3/8" flared connection on the Searing burner gas manifold (Fig. 2). (NOTE: Sealant is NOT required). Next, insert the Main Flex Fuel Line through the hole in right pedestal wall of your Jackson Grill. Note that the hole should be factory equipped with a grommet to protect the fuel line.

Remove the Brass Cap at the fuel manifold on your Jackson cart style grill (Fig.3a, 3b), then connect the Main Flex Fuel Line as shown (Fig. 4).

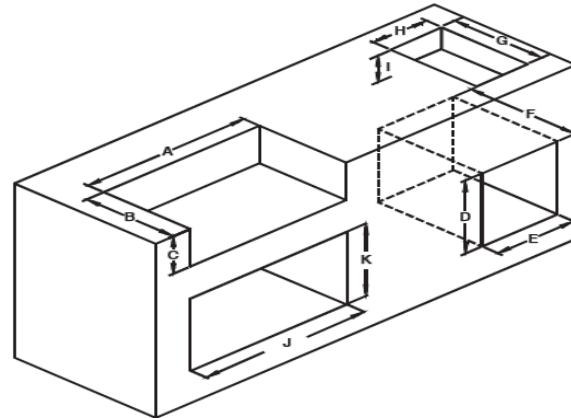


INSTALLATION INTO BUILT-IN CABINET:

STEP 1

Cut/fabricate a hole in the cabinet to size as shown in Figure 6; 'Cut Out Dimensions' (High Lighted in Yellow).

Figure 6: Built In Cut-Out Dimensions**



!WARNING!
SHUT OFF FUEL before installing
this side burner assembly.

MODEL	PREMIER 850	PREMIER 700	LUX 550	COCKTAIL CENTER	HORIZONTAL BIDOORS	VERTICAL BIDOORS	SMALL VERTICAL BIDOOR	SMALL ACCESS DOOR	DOUBLE ACCESS DOORS	SS VENT	ICE CHEST
A	39.5"	32.5"	24.5"	28.625"							
B	18"	18"	17.75"	22.5"							
C	10"	10"	10"	10.375"							
D											
E											
F											
G											TBD
H											TBD
I											TBD
J					24.25"	17.25"	14.375"	8.25"	28.75"	11.5"	
K					17.25"	24.25"	20.25"	8.25"	20.25"	3.25"	

MODEL	DOOR/ DRAWER COMBO *	TWO DRAWER *	THREE DRAWER *	TRASH BIN *	PAPER TOWEL HOLDER	BOTTLE OPENER	FRIDGE TRIM	DOUBLE SIDE BURNER	SINGLE SIDE BURNER	ZCAN 700	ZCAN 850
A										34.875"	41.875"
B										19.75"	19.75"
C										10.375"	10.375"
D	20.25"	12.75"	24.5"	24.25"	8.375"						
E	29"	17.5"	17.5"	17.5"	14.375"						
F	21.25"	23.5"	23.5"	23"	6.75"						
G								18.5"	17"		
H								14.5"	9"		
I								4.5"	4.5"		
J						7"					
K						7"	33.75"				

These dimensions are the actual cut out dimensions for the built in units in non-combustible applications.

STEP 2

Install the Main Flex Fuel Line onto the 3/8" flared connection on the Searing Side Burner manifold (Fig. 2 above). (Sealant not required).

PROPANE GRILLS: The inlet fuel line from the Propane Tank MUST Not Exceed 11" Water Column. If in doubt, please contact a professional Gas Fitter to check inlet pressure to your Grill.

NATURAL GAS GRILLS: The fuel line which delivers Natural Gas from your home to the grill, must not exceed 4.5" Water Column. (Also see Gas Conversion'. PP.7)

TECH TIP

It is recommend that a Certified Gas Fitter be used to install fuel lines and other fuel related components.

!WARNING!

Check fuel pressure before operating your Grill & Side burner. Over pressure could cause injury and property damage,

STEP 3

Drop Searing Side Burner into cabinet, and while doing so, route the Main Flex Fuel Line under your Jackson Built In Grill.

STEP 4

Remove brass cap from Fuel Inlet Manifold under the built in grill (Fig. 3a pp.5). Connect Searing Burner Main Flex Line to the built In grill manifold (Fig. 4 pp.5). Before using your grill, perform a thorough leak test as per the following section.

LEAK TESTING:

STEP 1

Turn on Gas. (Do NOT turn on any burners).

Figure 6



STEP 2

Mix a solution of liquid dish soap and water (or use profession leak detector liquid). Spray or brush thoroughly on all fuel line connections (Fig. 6). If soap bubbles are generated at any connection, tighten the fitting and re-test. If a leak is detected that cannot be repaired, immediately **turn off the gas** and contact your dealer for further assistance.

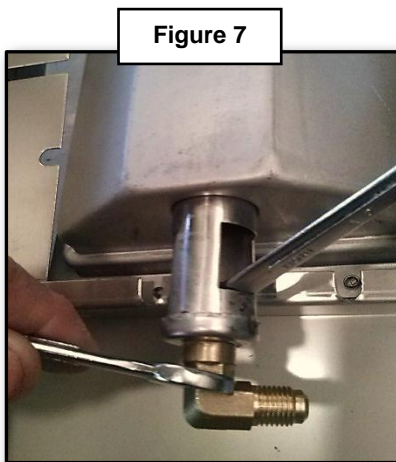
LIGHTING INSTRUCTIONS

1. Turn the main gas supply ON.
2. Depress the side burner control knob down slightly and turn **SLOWLY** counter clock wise until the 'click' of the igniter is heard. (This side burner has a built in ignition system).
3. If the side burner does NOT light, turn the control knob to the OFF position and try again.
4. Once the burner has lit, turn the control knob counter clock wise to the desired heat level.

To turn the unit off, turn the gas control clockwise to the OFF position.

NATURAL GAS CONVERSION

1. Remove the Cook Grid and Cook Grid Support, then turn the Searing Side Burner upside down.
2. Using a 10mm and 12mm wrench, remove the Propane Orifice (Fig. 7).
3. Lightly coat threads of the Natural Gas Orifice with Gas Teflon Tape or Gas Fitting Pipe Dope.
4. Install Natural Gas Orifice in the Brass Elbow, at the Searing Burner (Fig. 8). Tighten as required.



TECH TIP

Do NOT over tighten the orifice,
as the threads may break off.

5. After Natural Gas had been connected to the built-in grill, turn gas on and check all gas connections, per 'Leak Testing' (previous page).



Limited Warranty:

MODEL: JGSBSEAR Searing Side Burner

Jackson Grills Inc. warrants the materials and workmanship in this accessory to be free of defects for two years from the date of purchase.

Limited Warranty Subject to the following Conditions & Limitations:

(NOTE: Shipping and Labor Charges are NOT covered)

- Jackson Grills Inc. warrants its products to the original purchaser only (NO EXCEPTIONS). The bill of sale (proof of purchase) and serial number will be required in order to claim warranty from your authorized dealer.
- This factory warranty is non-transferable and may not be extended under any circumstances.
- This Limited Warranty does not cover any damage caused by misuse, lack of maintenance, hostile environments, accident, alterations, abuse or neglect, including scratches, dents, corrosion, or discoloring by heat (all stainless steel will discolor), and abrasive or chemical damage resulting from use of harsh cleaners.
- Should deterioration occur to the point of non-performance within the duration of the warranted coverage, a replacement will be provided in the first year only. This warranty extends to the repair or replacement of warranted parts that are defective in materials or workmanship provided that the product has been operated in accordance with the operation instructions and under normal conditions.
- After the first year Jackson Grills Inc. reserves the right to fully disengage all obligations with respect to this Limited Warranty by refunding the original warranted purchaser the original wholesale price of the warranted parts.
- Genuine Jackson parts must always be used; use of parts supplied by other manufacturers will nullify the warranty.
- The installation must be done in accordance with the installation procedures described in the included owner's manual.
- Jackson Grills Inc. or its parties will not be responsible for the installation, labor or any other costs or expenses related to the refitting of the warranted part, and such expenses are not covered by this warranty.
- Notwithstanding any provision contained in this Limited Warranty, Jackson Grills Inc. responsibility under this warranty is defined as above and it shall not in any event extend to any incidental, consequential, or indirect damages.
- Jackson Grills Inc. neither assumes, nor authorizes any third party to assume, on its behalf, any other liabilities with respect to the sale of this product.
- Jackson Grills Inc. reserves the right to inspect any parts prior to approving warranty claim.
- Jackson Grills or its representatives shall not be liable for ANY shipping charges, labor charges or duties.