



JACKSON GRILLS INC.
#106-2480 Mt. Lehman Rd.
Abbotsford, BC V4X 2N3

TEL: 1(888) 287-3333
FAX: 1(877) 855-5373
SUPPORT: support@jacksongrills.com
WEB SITE: www.jacksongrills.com

OWNER'S MANUAL:

Model # JGSDBL Double Side Burner



**FOR OUTDOOR,
BUILT-IN USE ONLY**



!WARNING!

If you smell gas:

1. Shut off gas to the appliance.
2. Extinguish any open flame.
3. Open lid.
4. If odor continues, keep away from appliance and immediately call your gas supplier & fire department.

!WARNING!

1. Do not store or use gasoline or other flammable liquids in the vicinity of this appliance.
2. Do not store disconnected propane tanks in the vicinity of this appliance.

Version: APR13



TABLE OF CONTENTS

Certification & Testing	2
Safety Warnings	3
Package Contents Checklist	3
Side Burner Parts Blow-Up	4
Installation Instructions: (Built In Version)	5-6
Leak Testing:	6
Natural Gas Conversion:	6
Lighting Instructions:	6
Warranty:	7

CERTIFICATION & TESTING

This side burner has been tested by Labtest Certification (LC) and has been tested to ANSI Z21.58a-1198 & CGA 16a-M98, and Certified for Canada and the USA.

NOTE: The use and installation of this product must conform to local codes. In the absence of local codes, use the National Fuel and Gas Code, ANSI A223.1, Storage and Handling of Liquefied Petroleum Gasses, NFPA / ANSI 58.

!SAFETY WARNINGS!

SAFETY FIRST:

Please carefully read all warnings and precautions prior to operating your Side Burner.

- 1 This accessory is for outside use only, and shall not be used in any building, garage, enclosed area or vehicle.
- 2 This Side Burner is set up from the factory for use with Propane Gas (LP). (Propane Cylinder /Tank not included)
- 3 Do not use gasoline, alcohol or other volatiles for lighting purposes.
- 4 The Propane (LP) gas supply cylinder must be constructed and marked in accordance with the specifications for propane gas cylinders of the US Department of transport (DOT) CFR 49 or the National Standards of Canada, CAN/CSA B339, Cylinders, Spheres and Tubes for the Transportation of Dangerous Goods.
- 5 Do not alter this accessory in any manner.
- 6 Do not touch any metal surfaces on this side burner until it has completely cooled to avoid burns, unless wearing protective gear. (Pot holders, gloves, BBQ mittens, etc.)
- 7 It is essential to keep the valve compartment, burners, and circulating air passages clean and free of obstructions and debris. Inspect the grill before each use.
- 8 Do not store any spare propane cylinders within 10 feet of this Side Burner.
- 9 Please note that propane (LP) is explosive under pressure, heavier than air, and settles and pools in low areas, which can create an explosion hazard.
- 10 Caution: contact with propane gas can cause freeze burns to your skin.
- 11 Dented and rusted propane cylinders may be hazardous and should be checked by a propane gas supplier, before use.

!WARNING!

**Failure to follow all
manufacturer's instructions
could result in serious bodily
injury and/or property damage.**

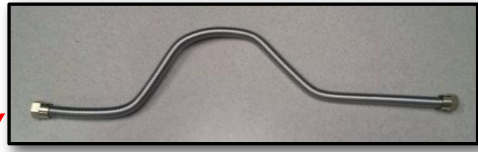
PACKAGE CONTENTS CHECKLIST:

The following parts are included in this side burner package:

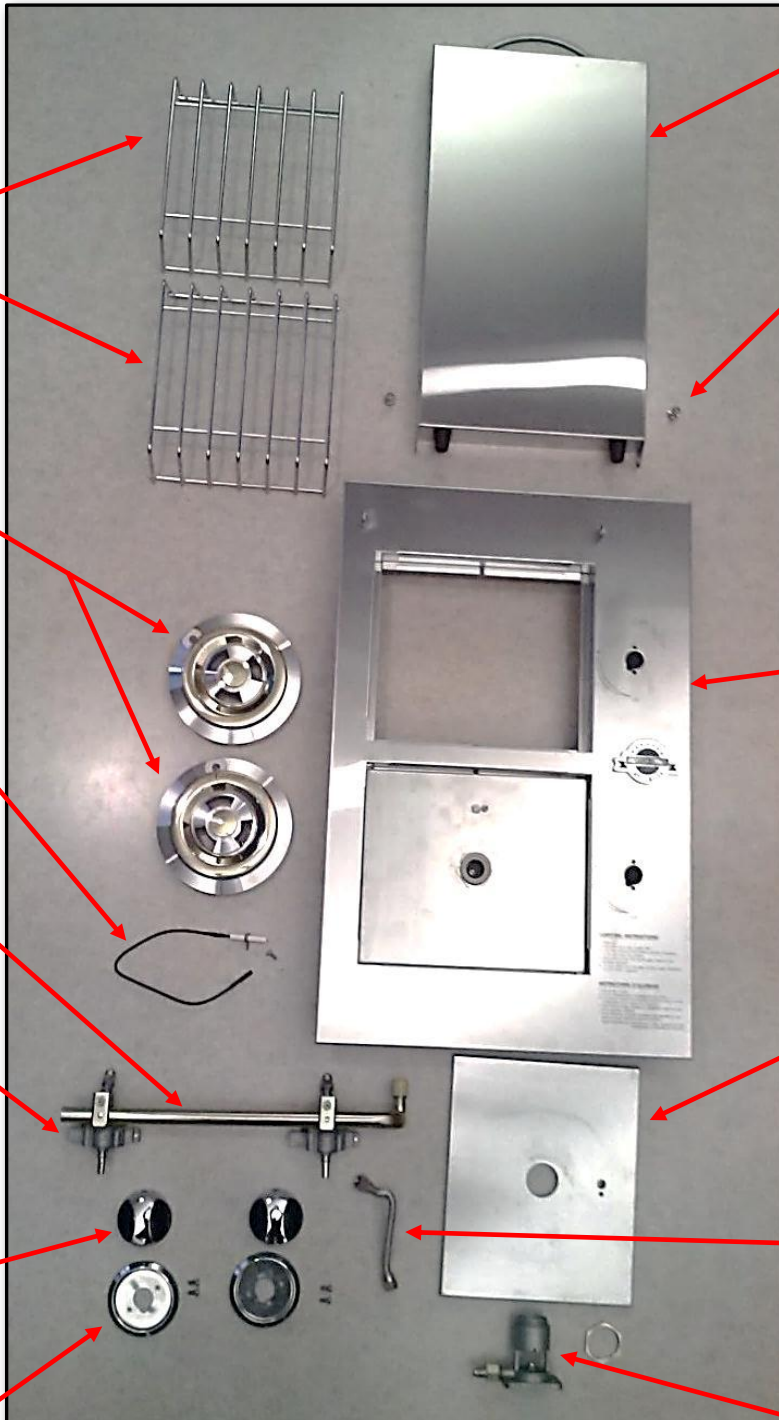
- 1 x Side Burner Body with Lid (attached)
- 1 x Stainless Steel Inlet Flex Hose
- 2 x Stainless Steel Cook Grid
- 2 x Burners (AKA Burner Top)
- 2 x Natural Gas Orifices (for Natural Gas Conversion)
- 1 x Owner's Manual



SIDE BURNER PARTS LIST



Flexible Fuel Line: JF-83



Cook Grid: JG-19 x 2

Burner: JB-22 x 2

Electrode: JE-14 x 2

Manifold: JF-86

Gas Valve: JF-100 x 2

Control Knob: JK-14 x 2

Chrome Bezel: JK-17 x 2

Lid with Handle: JH-002



Shoulder Bolt: JH-001 x 2

Main Body (Call Dealer)

Burner Support Plate: JB-23 x 2

Burner Fuel Line: JF-84 x 2

Venturi: JF-85 x 2

BUILT IN MODEL INSTALLATION: ★

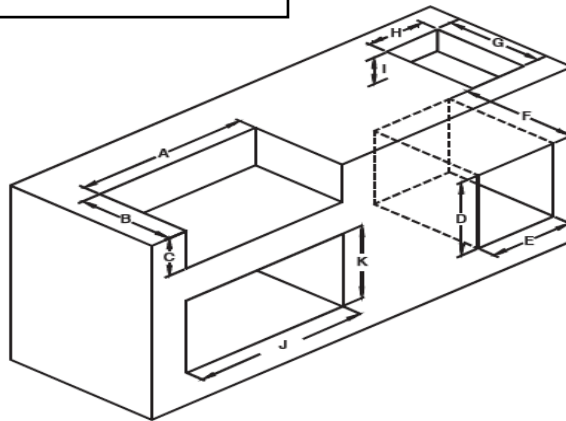
★ NOTE: this side burner kit DOES NOT FIT Jackson Cart model barbeques.

STEP 1

Cut hole in cabinet to size as shown in Figure 1; 'Cut Out Dimensions' (High-lighted in Yellow).

!WARNING!
SHUT OFF FUEL before installing this side burner assembly.

Figure 1: Built In Cut-Out Dimensions**



MODEL	PREMIER 850	PREMIER 700	LUX 550	COCKTAIL CENTER	HORIZONTAL BIDOORS	VERTICAL BIDOORS	SMALL VERTICAL BIDOOR	SMALL ACCESS DOOR	DOUBLE ACCESS DOORS	SS VENT	ICE CHEST
A	39.5"	32.5"	24.5"	28.625"							
B	18"	18"	17.75"	22.5"							
C	10"	10"	10"	10.375"							
D											
E											
F											
G											TBD
H											TBD
I											TBD
J					24.25"	17.25"	14.375"	8.25"	28.75"	11.5"	
K					17.25"	24.25"	20.25"	8.25"	20.25"	3.25"	

MODEL	DOOR/ DRAWER COMBO *	TWO DRAWER *	THREE DRAWER *	TRASH BIN *	PAPER TOWEL HOLDER	BOTTLE OPENER	FRIDGE TRIM	DOUBLE SIDE BURNER	SINGLE SIDE BURNER	ZCAN 700	ZCAN 850
A										34.875"	41.875"
B										19.75"	19.75"
C										10.375"	10.375"
D	20.25"	12.75"	24.5"	24.25"	8.375"						
E	29"	17.5"	17.5"	17.5"	14.375"						
F	21.25"	23.5"	23.5"	23"	6.75"						
G								18.5"	17"		
H								14.5"	9"		
I								4.5"	4.5"		
J						7"					
K						7"	33.75"				

*These accessories require a bottom support for the unit to sit on when installed.

** These dimensions are the actual cut out dimensions for the built in units in non-combustible applications.

STEP 2

Install inlet fuel line and connect to Side Burner at the 3/8" flared connection under the side burner. (Sealant is not required at this connection).

TECH TIP
It is recommend that a Certified Gas Fitter be used to install fuel lines and other fuel related components.

PROPANE: Please ensure that the fuel source has been regulated so that the inlet pressure is set at 11" Water Column.

NATURAL GAS: please ensure that inlet pressure does not exceed 4 1/2" Water Column. (Also see 'Natural Gas Conversion' below)

LEAK TESTING:

STEP 1

Mix a solution of liquid dish soap and water (or obtain profession leak detector liquid). Turn on Gas.

STEP 2

Spray or brush detector liquid thoroughly on all fuel line connections (Fig. 6). If soap bubbles are generated at any connection, tighten the fitting and re-test. If a leak is detected that cannot be successfully repaired, immediately **turn off the gas** and contact your dealer for further assistance.



LIGHTING INSTRUCTIONS

1. Turn the main gas supply ON.
2. Depress the side burner control knob down slightly and turn **SLOWLY** counter clock wise until the 'click' of the igniter is heard. (This side burner has a built in ignition system).
3. If the side burner does NOT light, turn the control knob to the OFF position and try again.
4. Once the burner has lit, turn the control knob counter clock wise to the desired heat level.
To turn the unit off, turn the gas control clockwise to the OFF position.

NATURAL GAS CONVERSION

1. Remove both Cook Grids and Burners,
2. Remove the two Propane Orifices, using a 1/4" Socket Wrench with an extension, and a 7mm socket (Fig. 7)
3. Lightly coat threads of the two Natural Gas Orifices with Teflon Tape or Gas Fitting Dope.
4. Install both Natural Gas Orifice into Side Burner (Fig. 8)



TECH TIP
Do NOT over tighten orifice; threads can easily be broken off!



Limited Warranty:

MODEL: JGSBDBL Side Burner

Jackson Grills Inc. warrants the materials and workmanship in this accessory to be free of defects for two years from the date of purchase.

Limited Warranty Subject to the following Conditions & Limitations:

NOTE1: Shipping and Labor Charges are NOT covered

NOTE2: Bill of Sale MUST be presented at time of warranty claim.

- Jackson Grills Inc. warrants its products to the original purchaser only (NO EXCEPTIONS). The bill of sale (proof of purchase) and serial number will be required in order to claim warranty from your authorized dealer.
- This factory warranty is non-transferable and may not be extended under any circumstances.
- This Limited Warranty does not cover any damage caused by misuse, lack of maintenance, hostile environments, accident, alterations, abuse or neglect, including scratches, dents, corrosion, or discoloring by heat (all stainless steel will discolor), and abrasive or chemical damage resulting from use of harsh cleaners.
- Should deterioration occur to the point of non-performance within the duration of the warranted coverage, a replacement will be provided in the first year only. This warranty extends to the repair or replacement of warranted parts that are defective in materials or workmanship provided that the product has been operated in accordance with the operation instructions and under normal conditions.
- After the first year Jackson Grills Inc. reserves the right to fully disengage all obligations with respect to this Limited Warranty by refunding the original warranted purchaser the original wholesale price of the warranted parts.
- Genuine Jackson parts must always be used; use of parts supplied by other manufacturers will nullify the warranty.
- The installation must be done in accordance with the installation procedures described in the included owner's manual.
- Jackson Grills Inc. or its parties will not be responsible for the installation, labor or any other costs or expenses related to the refitting of the warranted part, and such expenses are not covered by this warranty.
- Notwithstanding any provision contained in this Limited Warranty, Jackson Grills Inc. responsibility under this warranty is defined as above and it shall not in any event extend to any incidental, consequential, or indirect damages.
- Jackson Grills Inc. neither assumes, nor authorizes any third party to assume, on its behalf, any other liabilities with respect to the sale of this product.
- Jackson Grills Inc. reserves the right to inspect any parts prior to approving warranty claim.
- Jackson Grills or its representatives shall not be liable for ANY shipping charges, labor charges or duties.