



The ultimate outdoor grilling experience.

Phone: 1 (888) 287-3333 ♦ Fax: 1 (877) 855-5373 ♦ #106-2480 Mt. Lehman Road, Abbotsford, BC V4X 2N3

Owner's Manual for JPG50



Important Notice

Please read ALL safety notices on Pg. 1-2
before assembling or operating this grill.



CERTIFICATION AND SAFETY

!WARNING!

If you smell gas:

- 1. Shut off gas to the appliance.**
- 2. Extinguish any open flame.**
- 3. Open lid.**
- 4. If odor continues, keep away from the appliance and immediately call your gas supplier or your fire department**

!WARNING!

- 1. Do not store or use gasoline or other flammable liquids or vapors in the vicinity of this or any other appliance.**
- 2. An LP cylinder not connected for use shall not be stored in the vicinity of this or any other appliance.**

This appliance has been tested by LabTest Certification Inc. and has been tested to ANSI Z21.58-2007/CSA 1.6-2007 + Addenda 1 (2008).

NOTE: The use and installation of this product must conform to local codes or, in the absence of local codes, with either the National Fuel Gas Code, ANSI A223.1/NFPA S4, Natural Gas and Propane Installation Code, CSA B149.1, or Propane Storage and Handling code, B149.2, or the Standard for Recreational Vehicles, ANSI A 119.2/NFPA 1191, and CSA Z240 RV Series, Recreational Vehicle Code, as applicable.

SAFETY FIRST:

Read and understand all warning and precautions prior to operating your portable gas grill.

DANGER:

To prevent fire or explosion hazard always perform a Leak Test.

1. Always perform a "LEAK TEST" before lighting this portable gas grill, each time the cylinder is connected for use.
2. NO SMOKING. Do not use or permit sources of ignition in the area while conducting a leak test.
3. Conduct the leak test outdoors in a well ventilated area.
4. Do not use matches, lighters, or any open flame to perform a leak test.

TO CHECK FOR LEAKS:

Make 2 or 3 OZ. of leak solution by mixing 1 part liquid dish soap with three parts water.

1. Make sure the gas control knob is off.
2. Spoon several drops of this solution at the cylinder to the regulator valve connection.
3. Inspect the solution at the connection, looking for bubbles. If NO bubbles appear, the connection is secure. If bubbles appear, you have a leak.
4. Disconnect the cylinder and reconnect, making sure the connection is secure.
5. Retest with soap solution, if you continue to see bubbles, replace the cylinder.

WARNING:

1. This portable grill is for outside use only, and shall not be used in any building, garage or enclosed area.
2. This portable grill is set up from the factory for use with Propane Gas only. (LP Propane Cylinder not included).
3. Do not use gasoline, kerosene, or alcohol for lighting!! The LP gas supply cylinder must be constructed and marked in accordance with the specifications for LP-gas cylinders of the US Department of transport (DOT) CFR 49 or the National Standards of Canada, CAN/CSA B339, Cylinders, Spheres and Tubes for the Transportation of Dangerous Goods.
4. Always open the grill lid slowly and carefully as heat and steam trapped within the grill can cause severe burns.
5. Always place your grill on a hard level surface away from combustible materials. An asphalt or blacktop surface may not be an acceptable surface for this purpose. See page 5 for details.
6. Do not attempt to move this Portable grill while lit.
7. Do not leave a lit grill unattended. Keep children and pets away from this grill at all times.
8. Do not use this grill unless it is COMPLETELY assembled and all parts are securely fastened and tightened.
9. To prevent liquid propane from entering the regulator valve and causing a possible hazard, make sure during installation and use, the propane cylinder is lower than the regulator valve / regulator.
10. Do not use the portable grill in an explosive area. Keep grill area clear and free from combustible materials, gasoline and other flammable vapors and liquids.
11. Do not alter this grill in any manner.
12. Do not touch any metal surfaces on this grill until it has completely cooled to avoid burns, unless wearing protective gear. (Pot holders, gloves, BBQ mittens, etc.)
13. It is essential to keep the portable grills valves compartment, burners, and circulating air passages clean and free of obstructions. Inspect the grill before each use.

DANGER:

- Do not store any spare LP cylinders within 10 feet of this portable grill.
- Liquid propane (LP) gas is flammable and hazardous if not handled correctly. Become aware of the characteristics before using any propane (LP) product.
- LP characteristics: Flammable, explosive under pressure, heavier than air, and settles and pools in low areas.
- In its natural state propane (LP) has no odor. For your safety and odorant has been added that smells like rotten eggs.
- Contact with propane (LP) gas can cause freeze burns to your skin.
- This portable grill is shipped from the factory for use with (LP) gas use only.
- Never use an (LP) cylinder with a damaged body.
- Dented and rusted (LP) cylinders may be hazardous and should be checked by a LP gas supplier.



CONNECTING GAS CYLINDER:

This grill is designed to operate with a (DOT-39 Cylinder) one pound 7-3/8" High Disposable / 16.4 oz propane gas cylinder. DO NOT ATTEMPT TO REFILL ANY DISPOSABLE GAS CYLINDERS!! The LP-gas supply cylinder to be used must be constructed and marked in accordance with the National Standards of Canada, CAN/CSA-B339, Cylinders, spheres, and tubes for the Transportation of Dangerous Goods. Only cylinders marked "Propane" may be used. The gas cylinder should not be dropped or handled roughly!! If the appliance is not in use, the gas cylinder must be disconnected. Storage of this Portable grill is permissible only if the LP cylinder is disconnected and removed from the appliance. Cylinders must be stored outdoors out of reach of children and must not be stored in a building, garage, or any enclosed area. Your cylinder must not be stored in an area where the temperature can reach over 125 degrees F. Before connection, be sure that there is no debris caught in the head of the gas cylinder, head of the regulator valve, or in the head of the burner or burner ports. Lubricate the threads of the regulator valve with petroleum jelly, insert the gas cylinder into the regulator valve and hand tighten firmly. Disconnect the gas cylinder when the appliance is not in use. DO NOT obstruct the flow of combustion air and ventilation air to this portable grill.

TABLE OF CONTENTS

CERTIFICATION & SAFETY INFORMATION	1-3
TABLE OF CONTENTS	3
OWNER REGISTRATION	4
DIMENSIONS	5
CLEARANCES	5
UNPACKAGING YOUR GRILL	6
TOOLS REQUIRED FOR ASSEMBLY	6
PREPARING YOUR GRILL FOR OPERATION	7
LIGHTING INSTRUCTIONS	8
CLEANING AND MAINTENANCE	9
PARTS LIST AND EXPLODED VIEW	10 & 11
WARRANTY	12

SAVE THESE INSTRUCTIONS FOR FUTURE REFERENCE. IF YOU ARE ASSEMBLING THIS UNIT FOR SOMEONE ELSE, GIVE THIS MANUAL TO HIM OR HER FOR FUTURE REFERENCE.
--

Special Message to Our Customers:

All of us at Jackson thank you, for choosing a Jackson Grill! This appliance was intelligently designed, engineered, and built with quality components that we are confident will provide you with years of excellent operation. Please take the time to read the entire manual and familiarize yourself with all the features of the Jackson Grill. This manual also contains important safety information and operation instructions. Please write your barbecue's serial # in the space below, and ensure that this manual remains handy to the barbecue for quick reference.

To obtain replacement parts for your Jackson Grill, contact your local dealer. If you have any questions please call us anytime at the number below: (Please have your model and serial number at hand)

Grill Model: JPG50

Serial Number: _____

Write your serial number here for future reference.

OWNER REGISTRATION: Please take the time to fill out and return a Warranty Registration Card, or on-line at www.jacksongrills.com or simply fill in the form below and mail or fax to: (Thank you for your help!)

Jackson Grills
#106-2480 Mt. Lehman Rd.
Abbotsford, BC.
Canada V4X 2N3

Customer Support (Tel): 1 (888) 287-3333 or
Customer Support (E-mail): info@jacksongrills.com
Fax: 1 (877) 855-5373
Parts Ordering: Contact your Dealer

Please complete and return within 10 days. Thank you.

Title: Mr. Mrs. Ms. Miss (Circle One)

First Name: _____ Initial: _____ Last Name: _____

Street: _____ Apt. #: _____

City: _____ State/Prov.: _____ Zip/Postal: _____

Phone: _____ Email: _____

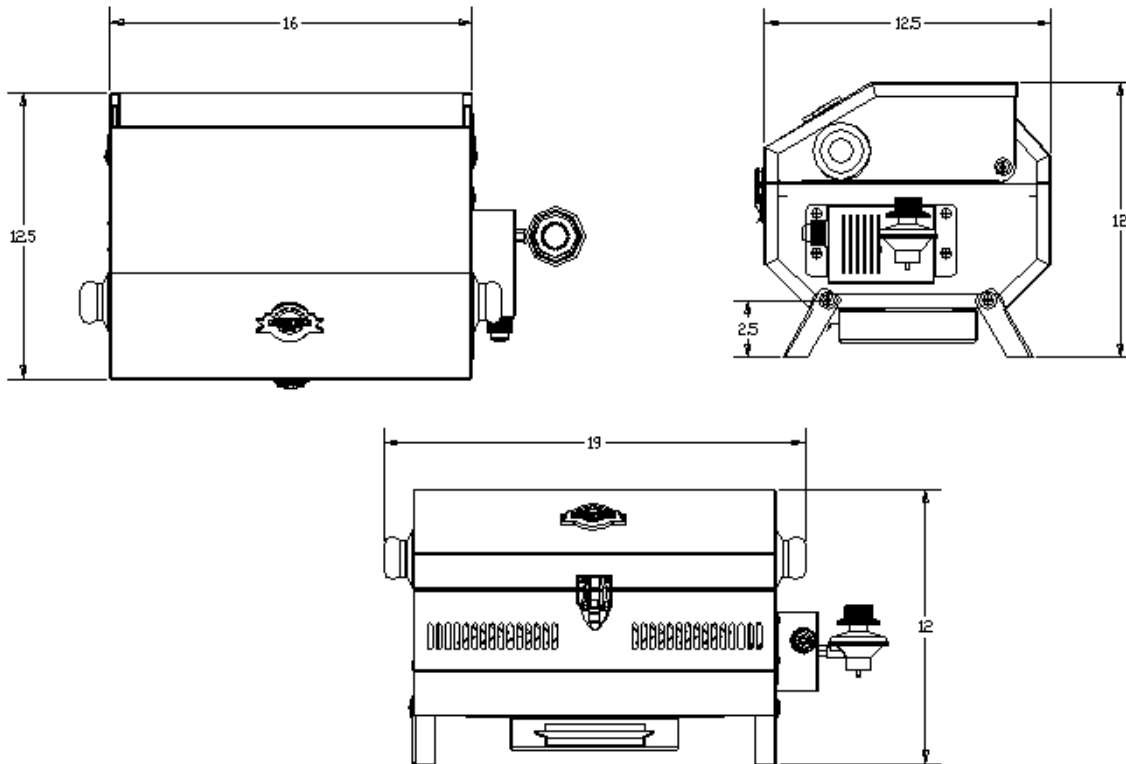
Date Purchased: _____ Dealer: _____

Model: _____ Serial #: _____

Comments: _____

Dear Grill Owner; please keep this manual for future reference.

DIMENSIONS



CLEARANCE TO COMBUSTIBLES

Keep all combustible surfaces at least 12 inches (30.24 cm) away from the grill at all times. Do not use this appliance under overhead combustible surfaces.

Please Note: These clearances are distances to prevent combustion. These are not clearances to warping, discolouring, melting, etc. Please use caution and discretion when operating near combustible material.

CAUTION:

Use only the gas pressure regulator supplied with this appliance. This regulator is set for an outlet pressure of 11" wc. If a replacement is necessary, please call your local dealer or distributor. The use of unauthorized parts can create unsafe conditions or environment.

UNPACKAGING YOUR GRILL

Your portable grill has been factory assembled. However, there are still some items that must be unpacked and placed in to the correct location. For assembly instructions please refer to the next page, PREPARING YOUR GRILL FOR OPERATION.

PARTS LIST:

- 1 Firebox Complete
- 1 Handles
- 1 AA/AAA Battery for Ignition Module
- 1 Flavor Shield
- 1 Cooking Grid
- 1 Drip cup (Grease Cup)
- 1 Owners Operators Manual

TOOLS REQUIRED FOR ASSEMBLY:

- 1 X SMALL Crescent Wrench

Please ensure all components have been supplied with this appliance before assembly or operation begins.

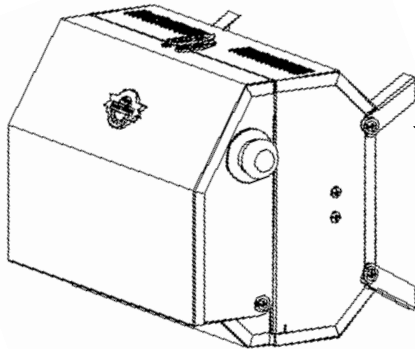
Please remove all packaging materials before using this portable grill.

DO NOT THROW AWAY ANY OF THE PACKAGING UNTIL YOU HAVE CONFIRMED ALL PARTS WERE SUPPLIED.

PREPARING YOUR GRILL FOR OPERATION

STEP 1:

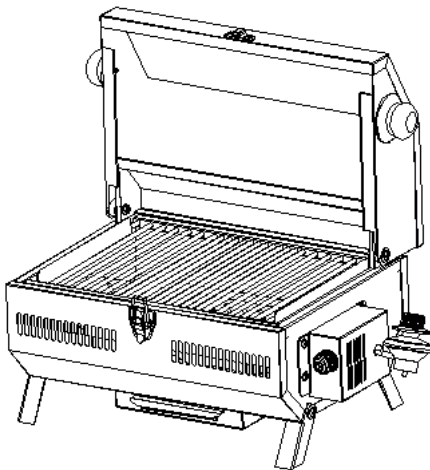
With the hood closed and latch in the closed position, lay the portable grill on its back and flip down the fold down leg system.



Flip down the fold down leg system.

STEP 2:

Place the unit in the upright position and screw in the supplied portable regulator. Do not over tighten; finger tight is sufficient, but the fitting can be LIGHTLY tightened with a small crescent wrench.



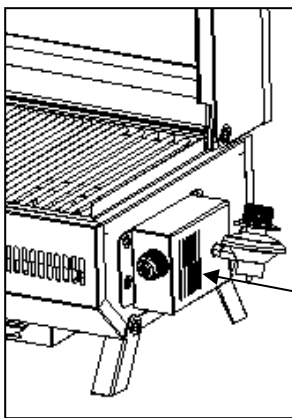
Screw the portable regulator into the side of the control box. Do not over tighten.

STEP3:

Make sure a battery (supplied) is installed in the ignition module. To do so, unscrew the black igniter button by turning it counter clockwise. The igniter only works if the battery is installed in the correct direction.

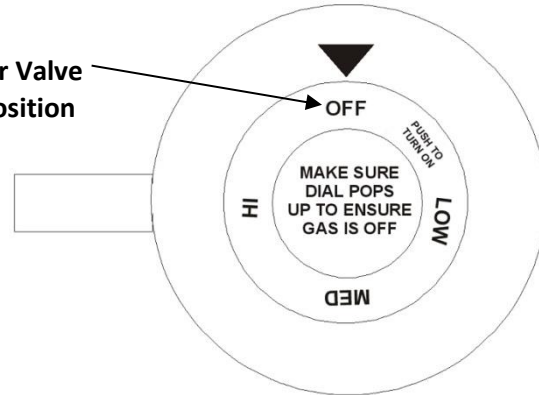
LIGHTING INSTRUCTIONS

Open the lid before lighting the portable grill. Make sure there are no obstructions of air flow to the grill. Spiders and insects can nest within the burner and clog the burner, venturi tube and the gas orifice. Clean the burner ports by using a stiff wire brush, paper clip or stiff pipe cleaner. Make the gas control knob is turned to the OFF position. Turn the regulator valve to the highest setting and depress the igniter button until burner lights. After the appliance has lit, please observe the burner flame, make sure all burner ports are lit and that the flame is constant and no longer than 2" inches in length.



Igniter

Regulator Valve
"OFF" position



If the burner does not light before 7 seconds of clicking, turn the regulator to the OFF position and wait 5 minutes for the gas to clear before trying again.

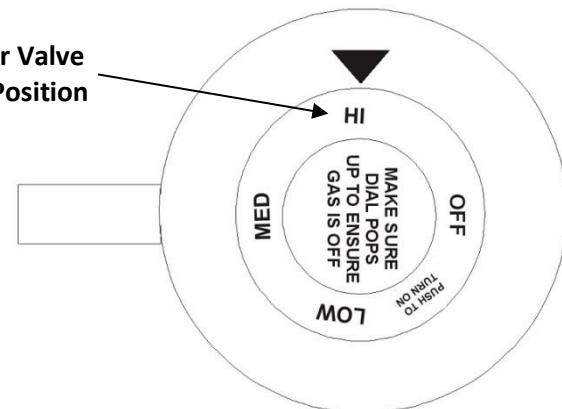
If the burner flame goes out while the unit is operating turn the unit OFF immediately, open the lid to clear out any gas.

Turn off LP supply at cylinder when appliance is not in use.

Operate the grill for the first time approximately for 15 minutes before you use the grill to cook food. This will burn off any residues from the assembly process.

Clean your grill after each use. Do not use any abrasive cleaners, or flammable cleaners. This could damage the surfaces of this grill.

Regulator Valve
Lighting Position



CLEANING AND MAINTENANCE

CAUTION:

Most cleaning and maintenance should be done while the unit is completely cold. Burning off the grill on high for about 5 minutes after each use will keep excessive food residue from building up.

Cooking surface cleaning:

Clean the cooking surface with a stiff brass bristle brush after each use while burning it off.

Outside surfaces cleaning:

Use mild dish soap and hot water to clean the outside of the grill.

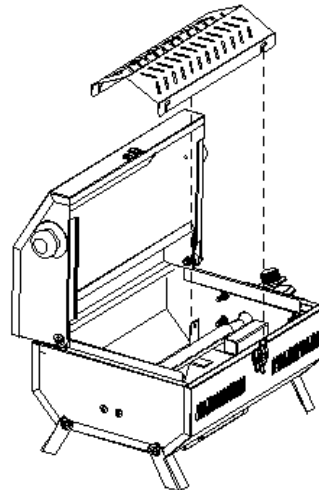
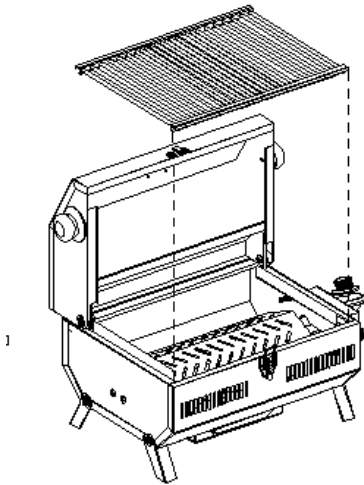
Do not use any abrasive cleaners or scouring pads on this appliance as this will scratch the outside surface of the portable grill. Use a spray on stainless steel cleaner to add shine to the exterior stainless steel.

NOTE: Always use a soft cloth and wipe in the direction of the grade of the stainless steel.

Interior firebox maintenance:

Remove the cooking grid, flame diffuser and the burner from the grill. Remove excess residue using a brush, scraper and or cleaning pad. Spray the inside of the firebox with stainless steel-friendly degreaser and let stand for 5 minutes. Use a toothbrush to loosen up grease and food residues. Wipe out firebox with a paper towel or rag.

NOTE: Make sure all of the degreaser is wiped dry and let the grill air out with the lid open for 15 minutes before using.



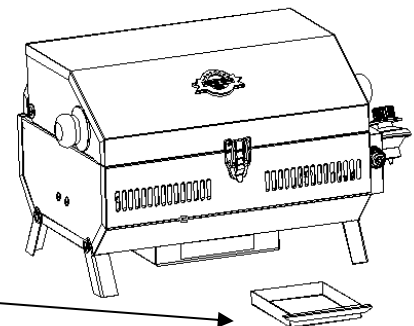
Burner maintenance:

Clean the exterior burner surface with a stiff brass bristle brush. Make sure all of the burner port holes are free of obstruction by using a large paperclip to poke the holes out. This is extremely important to prolong the lifespan of the stainless steel burner.

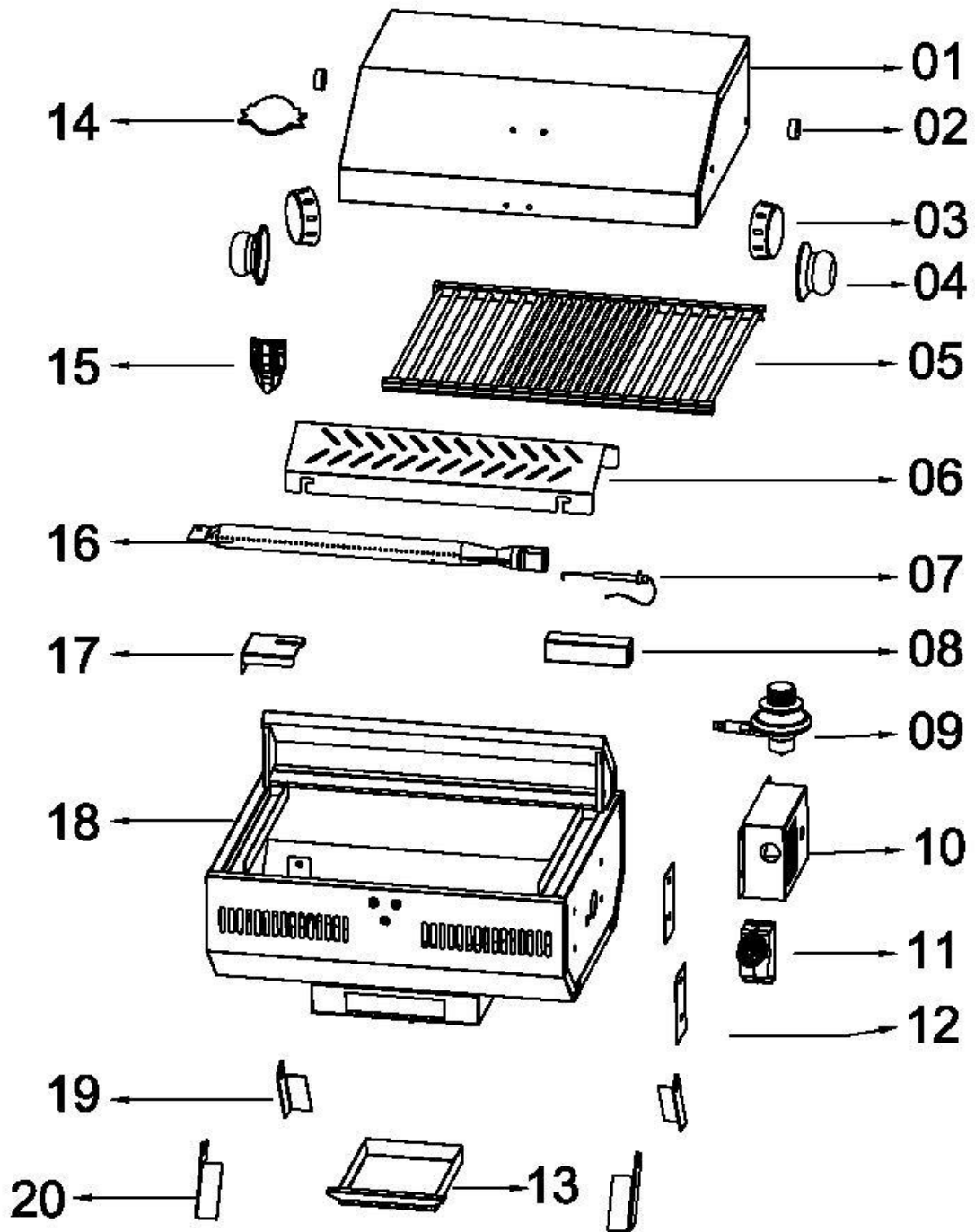
Flame diffuser maintenance:

Remove residue using a brush, scraper and or cleaning pad. This will reduce flare ups and prevent premature break down.

Remember to clean your grease cup out on a regular basis and always before you transport the grill.



JPG50 – Exploded View



JPG50 – Parts List

	Part Number	Part Description	Quantity Req'd
1	JH-04	Hood: JPG50 Versa	1
2	JH-22	Hood Spacer: JPG50, JVS75, JVS100	2
3	JH-176	Lid Handle Spacer: JPG50/JVS75	2
4	JH-88	Handle Knob: JPG50 Hood 2pc Set	1
5	JG-01	Grid: JPG50 VGS Roller	1
6	JD-01	Diffuser: Versa 50	1
7	JE-13	Electrode: Versa JPG Series	1
8	JE-25	Collector Box: Versa JPG Series	1
9	JF-50	Port Reg: Versa JPG Series LP	1
10	JH-54	Control Box: Versa JPG Only	1
11	JE-03	Ign. Module: 1 Pole Vera AAA	1
12	JH-71	Gasket: Control Box JPG/JVS	2
13	JH-80	Grease Cup: JPG50/JVS75	1
14	JH-02	Jackson Logo	1
15	JH-70	Hood Latch	1
16	JB-00XLU	Burner: Main Burner Universal	1
17	JH-64	Bracket: Burner Mount Versa JPG	1
18	JH-177	Firebox: Tub JPG50	1
19	JH-66	Leg: JPG50 Fold Down Rear	2
20	JH-65	Leg: JPG50 Fold Down Front	2



Limited Lifetime Warranty:

MODEL NO: JPG50

Jackson Grills warrants the following materials and workmanship to be free of defects for as long as you own the grill subject to the conditions below:

First 5 years: (from date of purchase) Jackson Grills will replace or repair (at our option) any defective part in the list below at no charge. From year 6 to lifetime, any defective part in the list below will be replaced or repaired (at our option) at 50% of the current retail price:

- Stainless Steel Burner
- Stainless Steel inner & outer hood
- Firebox
- Flame diffusers
- Stainless Steel cooking grids

2 Year Warranty: (from date of purchase); Jackson Grills will replace or repair (at our option), any defective part from the list below, at no charge.

Limited Warranty Subject to the following Conditions & Limitations:

(NOTE: Shipping and Labor Charges are NOT covered)

- The bill of sale (proof of original ownership) and serial number will be required in order to claim warranty from your authorized dealer. The warranty registration card must be returned within 30 days to register your warranty.
- This factory warranty is non-transferable and may not be extended under any circumstances.
- Jackson Grills warrants its products to the original purchaser only (NO EXCEPTIONS).
- This Limited Warranty does not cover any damage caused by misuse, lack of maintenance, hostile environments, accident, alterations, abuse or neglect, including scratches, dents, corrosion, discoloring by heat (discoloring is normal), & abrasive or chemical damage resulting from use of harsh cleaners.
- Should deterioration occur to the point of non-performance within the duration of the warranted coverage, a replacement will be provided in the first year only. This warranty extends to the repair or replacement of warranted parts that are defective in materials or workmanship provided that the product has been operated in accordance with the operation instructions and under normal conditions.
- After the first year Jackson Grills reserves the right to fully disengage all obligations of this Warranty by refunding the original warranted purchaser the original wholesale price of the warranted parts.
- A licensed, authorized, service technician or contractor must install the gas grill.
- Genuine Jackson parts must always be used; use of parts supplied by other manufacturers will nullify the warranty.
- The installation must be done in accordance with the installation procedures described in the included owner's manual.
- Jackson Grills or its parties will not be responsible for the installation, labor or any other costs or expenses related to the refitting of the warranted part, and such expenses are not covered by this warranty.
- Notwithstanding any provision contained in this Limited Warranty, Jackson Grills responsibility under this warranty is defined as above and it shall not in any event extend to any incidental, consequential, or indirect damages.
- Jackson Grills neither assumes, nor authorizes any third party to assume, on its behalf, any other liabilities with respect to the sale of this product.
- Jackson Grills reserves the right to inspect any parts prior to approving warranty claim.
- Jackson Grills or its representatives shall not be liable for ANY expenses arising from labor, shipping, or customs duty costs.

Labor Charges incurred are not covered.

- LP hose and regulator
- Natural Gas Hose & Quick Release fitting
- Natural Gas Regulator
- Thermometer
- Gas valves
- Fasteners
- Igniter and electrode
- Handles
- Accessory parts (excluding covers)